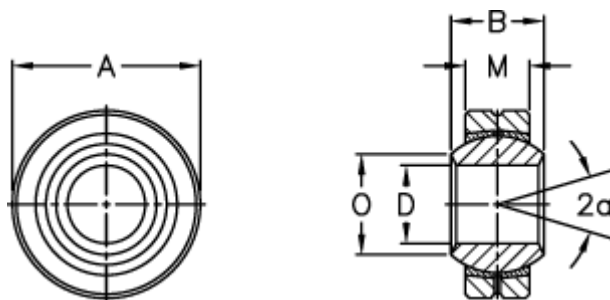


Article number: 03400016

Description: Fluro Rod end GL 16

Measures



A	= 38	Static load C0 (kN) = 64.5
a (degrees)	= 15	Weight = 115
B	= 21	
D	= 16	
Dynamic load C (kN)	= 16	
M	= 15	
O	= 19.3	
Permissible rpm	= 350	